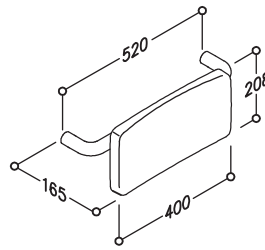


Montageanleitung
Fixing Instructions
Notice de montage
Montage handleiding

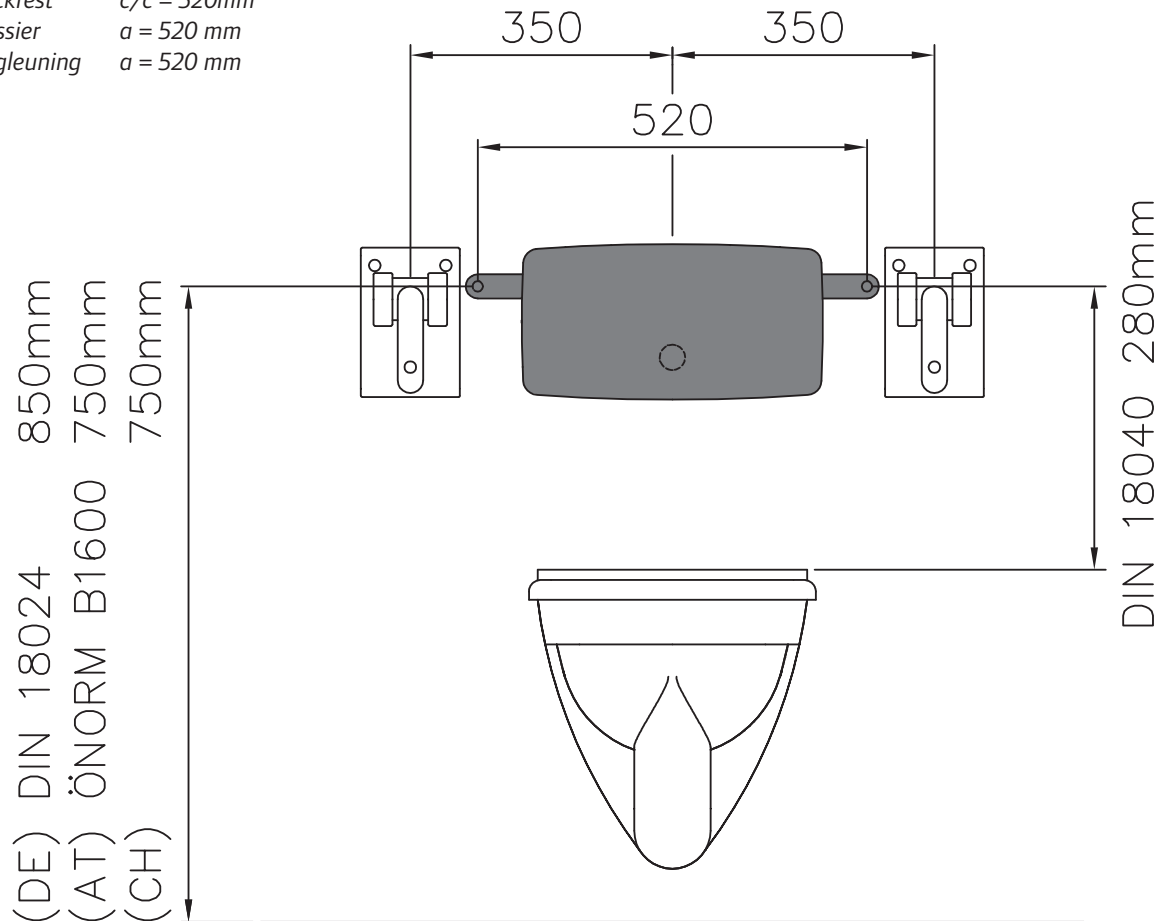
Rückenlehne, Cavere, Nylon, Inox care
 Backrest, Cavere, Nylon, Inox care
 Dossier, Cavere, Nylon, Inox care
 Rugleuning, Cavere, Nylon, Inox care



NORMBAU GmbH

77871 Renchen/Germany · Schwarzwaldstraße 15

Rückenlehne a = 520 mm
 Backrest c/c = 520mm
 Dossier a = 520 mm
 Rugleuning a = 520 mm



(DE) DIN 18024 850mm
 (AT) ÖNORM B1600 750mm
 (CH) 750mm

DIN 18040 280mm

